

AD-75 PRO. BOARD FRONT SIDE



AD-75 PRO. BOARD BACK SIDE



AD-75 WITH BOARD LENS & EMC SHELL

OEM/ODM BOARD TYPE SURVEILLANCE CAMERA

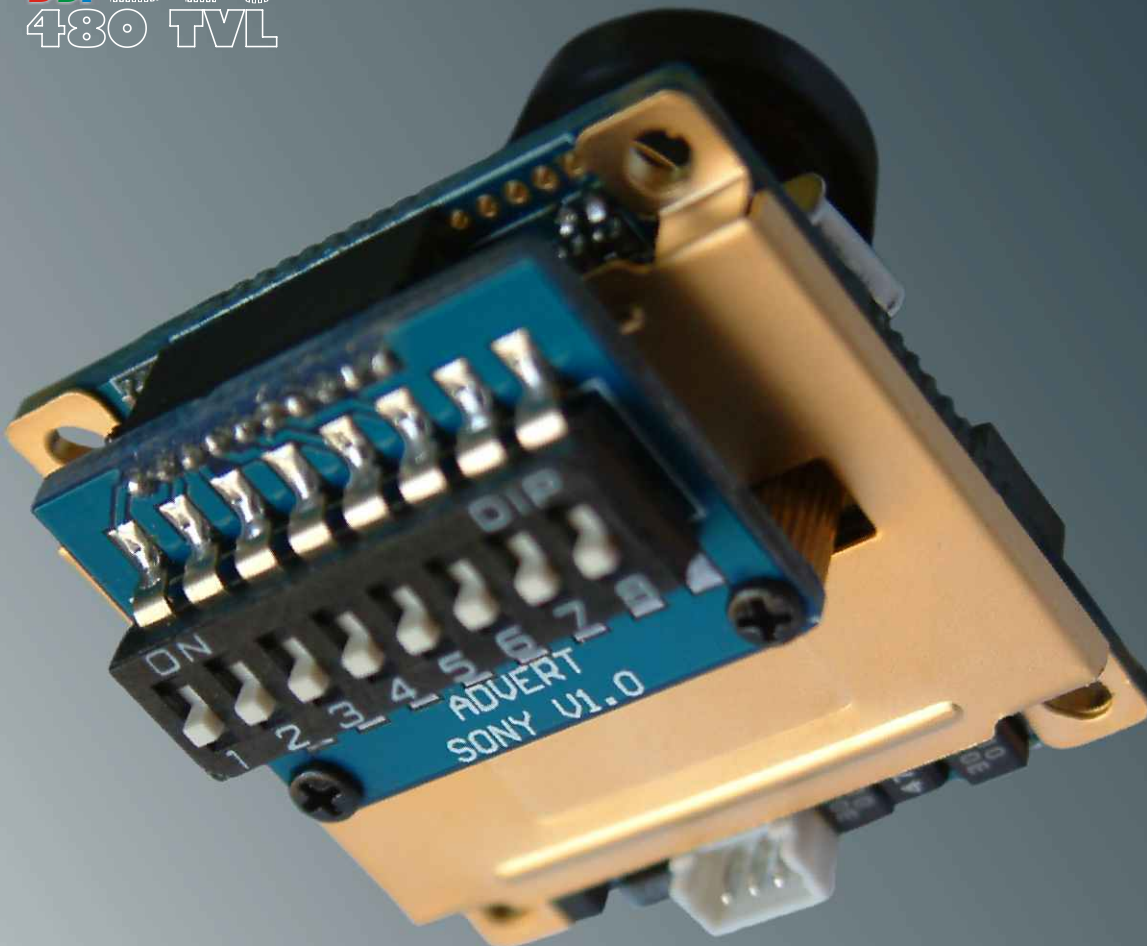
AD-75 PRO

Easy to install*

*For details refer installation manual

- Built with ADVERT **PRO Ray Gold Board**
- Sony CCD & SS-11RM DSP Chip Sets
- All Japanese SMD Components From Original Mfr
- Best Choice for OEM/ODM Manufacturer
- Wide In-put Voltage Range (DC7.5V to DC18V)
- Power Consumption(1/3"CCD-DC12V/70 mA.)
- Lowest Operating Temperature
- 32X32 mm Main Board & 23.6X18 mm PI-DIP Board
- Metal Lens Mount M12X0.5 or M14(W/O Thread)
- Fixed to Mirror Option On Req. For CAR Use
- High Illumination Mask On Req. For CAR Parking
- Dual Solder Mask PCB for Corrosion Protection
- Gold processed back shell fo EMC Shielding
- Immersion Gold PCB Surface Finish
- Ultra Clear Image Performance
- Super Sensitive Low Lux Image Capture
- 1/3" & 1/4" format CCD Sensor
- 8 DIP Switch For Professional Installation Setup
- 6 Types White Balance Setup With (PI-DIP1,2,3*)
- Shutter Fixed 1/100 or 1/120 With (PI-DIP4*)
- AGC High/Low Setup With (PI-DIP5*)
- Back Light Compensation On/Off With (PI-DIP6*)
- Electronic Auto Iris/Manual Iris With (PI-DIP7*)
- Auto Exposure/8 Types Fixed With (PI-DIP8*)

10bit
DSP
480 TVL



BOARD TYPE CAMERA AD-75 PRO

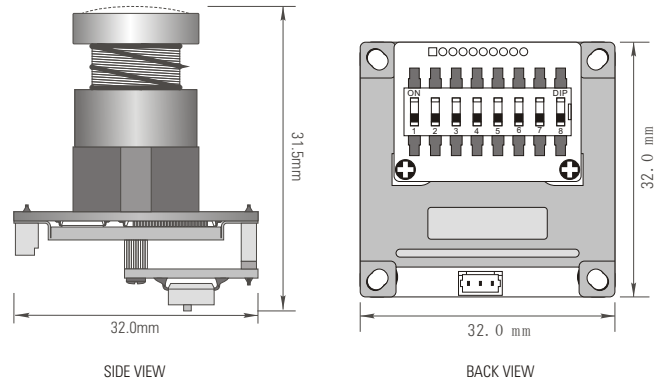


Easy to install*

*For details refer installation manual



AD-75 WITH BOARD LENS & EMC SHELL



Above mentioned technical drawing for reference only
All dimensions are in millimeters

AD-75 PRO UNIQUE FEATURES

- Built with ADVERT PRO Ray Gold Board
- Sony CCD & SS-11RM DSP Chip Sets
- All Japanese SMD Components From Original Mfr
- Best Choice for OEM/ODM Manufacturer
- Wide In-put Voltage Range (DC7.5V to DC18V)
- Power Consumption(1/3"CCD-DC12V/70 mA.)
- Lowest Operating Temperature
- 32X32 mm Main Board & 23.6X18 mm PI-DIP Board
- Metal Lens Mount M12X0.5 or M14(W/O Thread)
- Fixed to Mirror Option On Req. For CAR Use
- High Illumination Mask On Req. For CAR Parking
- Dual Solder Mask PCB for Corrosion Protection
- Gold processed back shell fo EMC Shielding
- Immersion Gold PCB Surface Finish
- Ultra Clear Image Performance
- Super Sensitive Low Lux Image Capture
- 1/3" & 1/4" format CCD Sensor
- 8 DIP Switch For Professional Installation Setup
- 6 Types White Balance Setup With (PI-DIP1,2,3*)
- Shutter Fixed 1/100 or 1/120 With (PI-DIP4*)
- AGC High/Low Setup With (PI-DIP5*)
- Back Light Compensation On/Off With (PI-DIP6*)
- Electronic Auto Iris/Manual Iris With (PI-DIP7*)
- Auto Exposure/8 Types Fixed With (PI-DIP8*)

Technical Specifications

MODEL	AD-8375H-PBL N/P	AD-8475H-PBL N/P
Image sensor	Sony 1/3 inch	Sony 1/4 inch
Scanning system	2:1 Interlace	
Scanning frequency(H)	15734 Hz / 15625 Hz	
Scanning frequency(V)	59.94 Hz / 50 Hz	
Sync. system	Internal	
Signal system	525 lines / 625 lines	
Total effective pixels	380K / 440K	
Standard Lens Type	1/4" 110 degree & 1/3" 92 degree view (Diagonal)	
S/N Ratio	More then 48 dB (AGC OFF)	
Gamma	0.45	
Resolution	480 Lines	
Video output level	1.0 Vp-p (75 Ohms, composite)	
Focus Mode	Manual	
Min. illumination	0.5 LUX.(F1.2)	
White Balance	User Selectable With DIP Switch 1,2 & 3 (Sony) & DIP Switch 3,4(Sharp)(Combinations. (ATW, PUSH, WB-Lock, Indoor, Outdoor, Fl. Light, Mfr. Default,.)	
Shutter Fixed	User Selectable Shutter Fixed Mode to 1/100(PAI) & 1/120(NTSC) With DIP Switch 4	
AGC	User Selectable AGC Mode High & Low With DIP Switch 5 On/Off (Sony) .	
BLC	User Selectable Back Light Compensation Mode On & Off With DIP Switch 6 On/Off .	
Iris	User Selectable IRIS Mode Manual Iris & Auto Iris With DIP Switch 7 On/Off .	
Exposure (AE/ME)	User Selectable Exposure Mode Auto Exposure & Manual With DIP Switch 8 On/Off & Manual 8 Type Fixed Shutter Speed With DIP Switch 4,6 & 7 Combination .	
Mirror	Fixed to Mirror Option On Request. For CAR Rear Vision.	
I / O connector	1.25mm Pitch 3Pin/ 90mm Wire ASSY :Power (Red), GND (Black), Video (Orange/White). (Molded BNC and DC Input Socket Optional)	
High Illumination Mask Function	Fixed to High Illumination Mask Option On Request. For CAR Rear Vision Application and & CAR Parking.	
Supplied Voltage	DC 7.5 V -18 V (Recommendation DC 12 + 0.5 V)	
Current consumption	90 mA @ 12 VDC	
Dimensions	32 mm X 32 mm X 31.5 [(H)-Approx. With Std. Lens.]	
Weight	Approx. 27.0 grams	

To stand out from our fellow Traveler's Products, we use Advert Ray Gold Board Standard. Please e-mail at :service@adverttechnologies.com for details and comparison chart of Ray Gold Board. Please e-mail at :support@adverttechnologies.com for Type of function & lens selection chart for selecting right function & optional lens for your customer site requirement. (Advert Technologies may, at any time and without notice, make changes or improvements to the products and services offered and/or cease producing or commercializing them.) The Advert logo and Ray Gold Board trademark are property of Advert Technologies.

Authorised Dealer / Representative.

ADVERT
DIGITAL SECURITY WORLD