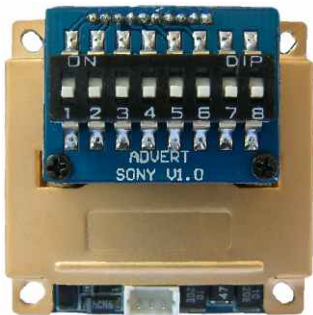




AD-02 PROFESSIONAL SERIES



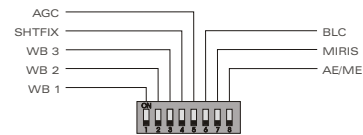
Advert **PRO** Ray **Gold** Board
With 8 DIP Switch and EMC Shell
Back Side View

MICRO DOME SURVEILLANCE CAMERA AD-02 **PRO**

Easy to install*
*For details refer installation manual

- Built with ADVERT **PRO** Ray **Gold** Board
- 8 DIP Switches For Professional Installation Setup
- Wide In-put Voltage Range (DC7.5V to DC18V)
- Power Consumption(1/3"CCD-DC12V./70 mA.)
- Super Sensitive Low Lux Image Capture
- Ultra Clear Image Performance
- Sony 1/3" & 1/4" format Super HAD CCD Sensor
- 6 Types White Balance Setup With (PI-DIP1,2,3*)
- Shut.-Fixed (FI-Free)1/100 or 1/120 With (PI-DIP4*)
- AGC High/Low Setup With (PI-DIP5*)
- Back Light Compensation On/Off With (PI-DIP6*)
- Electronic Auto Iris/Manual Iris With (PI-DIP7*)
- Auto Exposure/8 Types Fixed With (PI-DIP8*)
- Noise Free Image at Low Light
- Optically Corrected top dome cover
- Compact and light weight

* For (PI-DIP8*) Setup detail Please Refer Installation Manual
Reference Drawing shown below is for Sony Camera Only.
For Panasonic & Sharp Function Please Refer Installation Manual



10bit
DSP
480 TVL



MICRO DOME SURVEILLANCE CAMERA AD-02 PRO

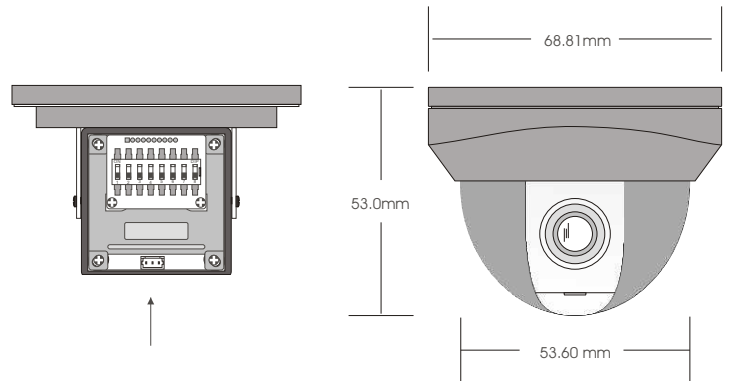


Easy to install*

*For details refer installation manual



AD-02 PROFESSIONAL SERIES



Above mentioned technical drawing for reference only.
All dimensions are in millimeters.

AD-02 PRO UNIQUE FEATURES

- Built with ADVERT PRO Ray Gold Board
- 8 DIP Switches For Professional Installation Setup
- Wide In-put Voltage Range (DC7.5V to DC18V)
- Power Consumption(1/3" CCD-DC12V./70 mA.)
- Super Sensitive Low Lux Image Capture
- Ultra Clear Image Performance
- Sony 1/3" & 1/4" format Super HAD CCD Sensor
- 6 Types White Balance Setup With (PI-DIP1,2,3*)
- Shut.-Fixed (FI-Free)1/100 or 1/120 With (PI-DIP4*)
- AGC High/Low Setup With (PI-DIP5*)
- Back Light Compensation On/Off With (PI-DIP6*)
- Electronic Auto Iris/Manual Iris With (PI-DIP7*)
- Auto Exposure/8 Types Fixed With (PI-DIP8*)
- Noise Free Image at Low Light
- Optically Corrected top dome cover
- Compact and light weight

Technical Specifications

MODEL	AD-8302H-PBL NTSC/PAL	AD-8402H-PBL NTSC/PAL
Image sensor	Sony Super HAD 1/3 inch	Sony Super HAD 1/4 inch
Scanning system	2:1 Interlace	
Scanning frequency(H)	15734 Hz / 15625 Hz	
Scanning frequency(V)	59.94Hz / 50.00Hz	
Sync. system	Internal	
Signal system	525 lines / 625 lines	
Total effective pixels	380K / 440K	
Lens Type	Standard Fixed M12X0.5 lens supplied with 1/4" Camera with 110 degree view angle (Diagonal) & 1/3" Camera with 92 degree view angle (Diagonal)	
S/N Ratio	More than 48 dB (AGC OFF)	
Gamma	0.45	
Resolution	480 Lines	
Video output level	1.0 Vp-p (75 Ohms, composite)	
Focus Mode	Manual	
Min. illumination	0.3 LUX.(F1.2)	
White Balance	User Selectable With DIP Switches 1,2 & 3 Combinations. (ATW, PUSH, WB-Lock, Indoor, Outdoor, Fl. Light, Mfr. Default)	
Shutter Fixed	User Selectable Shutter Fixed Mode to 1/120(PAL) & 1/100(NTSC) With DIP Switch 4	
AGC	User Selectable AGC Mode High & Low With DIP Switch 5 On/Off	
BLC	User Selectable Back Light Compensation Mode On & Off With DIP Switch 6 On/Off	
Iris	User Selectable IRIS Mode Manual Iris & Auto Iris With DIP Switch 7 On/Off	
Exposure (AE/ME)	User Selectable Exposure Mode Auto Exposure & Manual With DIP Switch 8 On/Off & Manual 8 Type Fixed Shutter Speed With DIP Switch 4,6 & 7 Combination .	
Mirror	Optional on OEM request	
Supplied Voltage	DC 7.5 V - 18 V (Recommendation DC 12 + 0.5 V)	
Current consumption	70 mA @ 12 VDC	
I/O connector	Video output : BNC Connector and 12 V DC Input : DC Socket	
Dimensions	68.81 mm (Base Diameter) X 53.0 mm (H) X 53.6 (Dome Diameter)	
Weight	Approx. 95 grams	

Optional Lenses:

MODEL	FOCAL LENGTH	CCD FORMAT	APERTURE	ANGLE OF VIEW DIAGONAL
AD-BL1178	1.78 MM	1/3" (1/4")	F3.0	170 (140) DEGREE
AD-BL1210	2.10 MM	1/3" (1/4")	F2.0	160 (116) DEGREE
AD-BL1246	2.45 MM	1/3" (1/4")	F2.0	150 (113) DEGREE
AD-BL1250	2.50 MM	1/3" (1/4")	F2.0	140 (104) DEGREE
AD-BL1287	2.97 MM	1/3" (1/4")	F2.0	130 (95.8) DEGREE
AD-BL1340	4.00 MM	1/3" (1/4")	F2.0	80 (64) DEGREE
AD-BL1360	6.00 MM	1/3" (1/4")	F2.0	53 (38) DEGREE
AD-BL1380	8.00 MM	1/3" (1/4")	F2.0	40 (30) DEGREE
AD-BL13120	12.0 MM	1/3" (1/4")	F2.2	28 (19) DEGREE
AD-BL13180	16.0 MM	1/3" (1/4")	F2.5	19 (15) DEGREE
AD-BL14150	1.50 MM	1/4"	F2.5	170 DEGREE
AD-BL14180	1.80 MM	1/4"	F2.5	150 DEGREE

To stand out from our fellow Traveler's Products, we use Ray Gold Board. Please e-mail at : suport@adverttech.com for technical details and comparison chart of Ray Gold Board. Please e-mail at : suport@adverttech.com for Type of function & lens selection chart for selecting right function & optional lens for your customer site requirement. (Advert Technologies may, at any time and without notice, make changes or improvements to the products and services offered and/or cease producing or commercializing them.) The Advert logo and Ray Gold Board trademark are property of Advert Technologies.

Authorised Dealer / Representative.

ADVERT
DIGITAL SECURITY WORLD